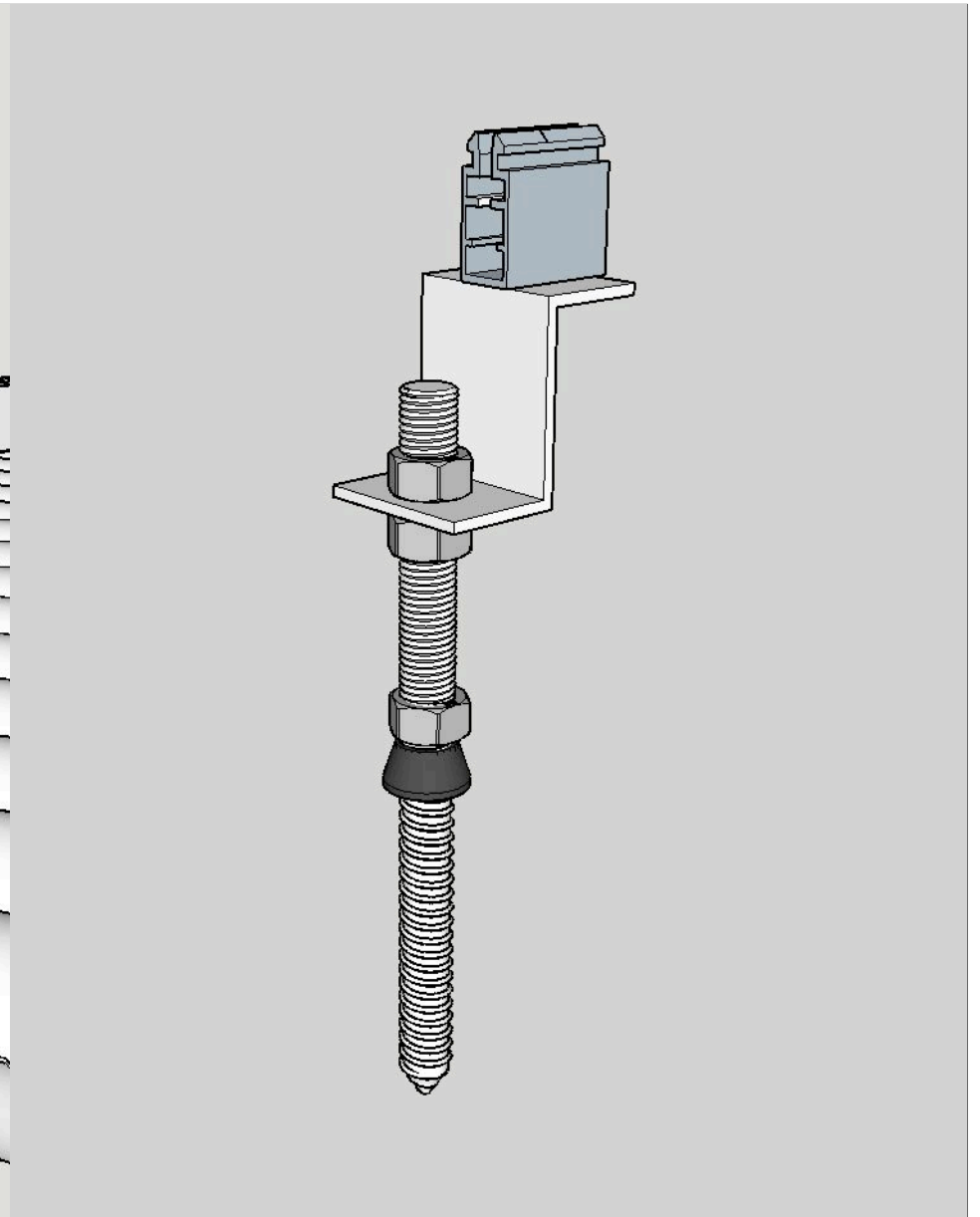
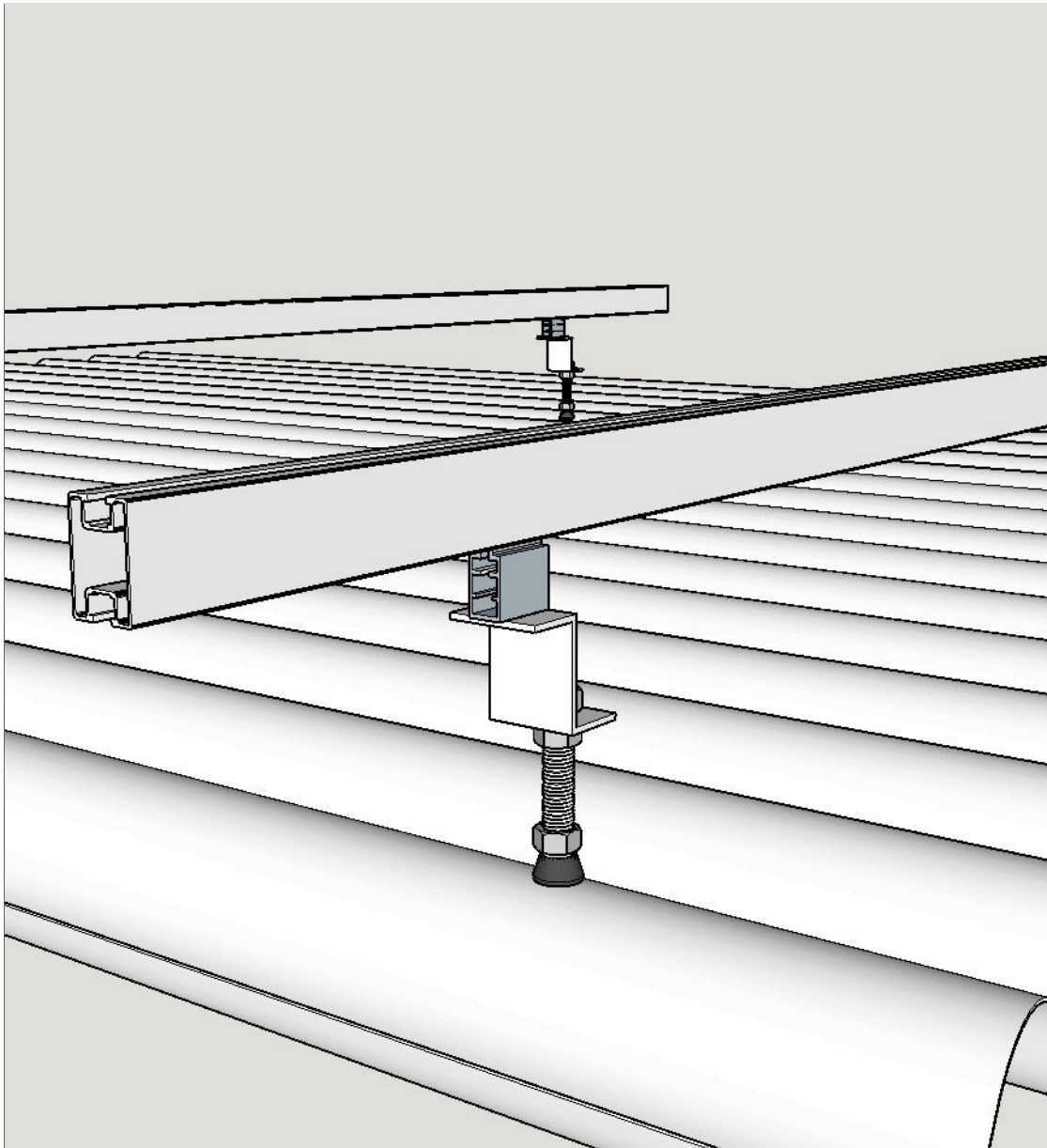


KD SOLARTM 

Asbestos or cement fibre type roof showing structure and solar panel on structure

REVISIONS

	MM/DD/YY	REMARKS
1	--/--/--	...
2	--/--/--	...
3	--/--/--	...
4	--/--/--	...
5	--/--/--	...



Hanger bolt on roof showing installed and loose
Hanger bolt

REVISIONS		
	MM/DD/YY	REMARKS
1	___/___/___	...
2	___/___/___	...
3	___/___/___	...
4	___/___/___	...
5	___/___/___	...